

Serie | 8 Steam-Oven

Combi-steam oven HSG636XS6, Stainless steel



A+



The steam oven with PerfectBake and PerfectRoast: you get perfect results, automatically and gently.

- **Steam baking:** by adding steam, foods turn out crispy on the outside and juicy on the inside.
- **DishAssist:** automatic setting of the optimal type of heat, temperature and time for countless dishes.
- **TFT touchscreen control:** easy-to-use thanks to the control ring with full text and images.
- **Home Connect:** home appliances with smart connectivity for an easier everyday life.
- **EcoClean Direct:** almost no cleaning is necessary thanks to a special coating of the rear wall that automatically absorbs grime.

Technical Data

Color / Material Front :	Stainless steel
Built-in / Free-standing :	Built-in
Door opening :	Drop down
Required niche size for installation (HxWxD) :	585-595 x 560-568 x 550
Dimensions of the product (mm) :	595 x 594 x 548
Dimensions of the packed product (HxWxD) (mm) :	675 x 660 x 690
Control Panel Material :	Stainless steel
Door Material :	Glass
Net weight (kg) :	45.0
Approval certificates :	CE, VDE
Length electrical supply cord (cm) :	120
Cooking method :	4D hot air, Bottom heat, Conventional heat, Defrost, Dehydrate, fermentation, Full width grill, Half width grill, Hot Air-Eco, Hot air grilling, Intensive heat, low temperature cooking, Pizza setting, pre-heating, Regeneration, Steam 100%, warming
Time-setting Options :	Start and Stop
Current (A) :	16
Voltage (V) :	220-240
Frequency (Hz) :	50; 60
Plug type :	Gardy plug w/ earthing
Approval certificates :	CE, VDE
Universal Product Code :	825225921561
Color / Material Front :	Stainless steel
Energy input :	Electric
Current (A) :	16
Voltage (V) :	220-240
Frequency (Hz) :	50; 60
Approval certificates :	CE, VDE
Plug type :	Gardy plug w/ earthing
Net weight (lbs) :	99
Gross weight (lbs) :	104

Included accessories

1 x enamel baking tray, 1 x steam container, punched, size S, 1 x steam container, punched, size XL, 1 x steam container, unpunched, size S, 1 x grid, 1 x universal pan



Optional accessories

HEZ327000 Pizza stone, HEZ36D153P porcelain tray-GN1/3- unpunched, HEZ36D163 Steam container, unpunched, size S, HEZ36D163G Steam container, punched, size S, HEZ36D353P porcelain tray-GN2/3- unpunched, HEZ36D663G Steam container, punched size XL, HEZ617000 Pizza pan, anthracite enamelled, HEZ625071 Grill tray, anthracite enamelled, HEZ631010 Baking tray, non-stick coated, HEZ631070 Baking

Serie | 8 Steam-Oven

Combi-steam oven HSG636XS6, Stainless steel

The steam oven with PerfectBake and PerfectRoast: you get perfect results, automatically and gently.

Type of oven / heating system:

- Combi-steam oven with 14 heating methods: 4D hotair, Hotair Eco., Conventional heat, Conventional heat ECO, Hot air grilling, Full width grill, Half width grill, Pizza setting, Bottom heat, Intensive heat, Low temperature cooking, Preheating, Dehydrate, Hold warm
- Additional heating methods with steam: Steam, Regeneration, fermentation, Defrost
- Temperature range 30 °C - 250 °C
- Cavity volume: 71 l

Design:

- Rotary swivel knobs
- Cavity inner surface: Enamel anthracite

Cleaning:

- EcoClean Direct coating: back panel
- Full glass inner door

Comfort:

- 3x 2,5"-TFT color and graphics display with direct touch function
- Temperature proposal
Actual temperature display
heating-up control
Sabbath setting
- Additional functions:
Descaling programme
autom. boiling point detection
Drying function
- Bottom-hinge opening, Oven door with SoftClose, soft opening
- Supporting systems: Dish Assist
- multipoint temperature probe
baking sensor
- Electronic clock
- Rapid heating-up
- LED light, LED-Elongated light, Switch for oven illumination
- Water tank with 1 l
- Water tank empty indicator
- Location of the steam generator is outside of the cavity
- Integral cooling fan
- Stainless-steel fan
- Info button
- Bar handle
- HomeConnect ready on WLAN

Hook-in racks / rails

- Cavity with shelf support rails, 3 level telescopic shelf rails, full extension, with Stop function

Accessory:

- 1 x enamel baking tray, 1 x steam container, punched, size S, 1 x steam container, punched, size XL, 1 x steam container, unpunched, size S, 1 x grid, 1 x universal pan

Environment and Safety:

- low door temperature
- Energy efficiency rating A+
- Child lock
Automatic switch off
Residual heat indicator
Start-/Stop button
Door contact switch

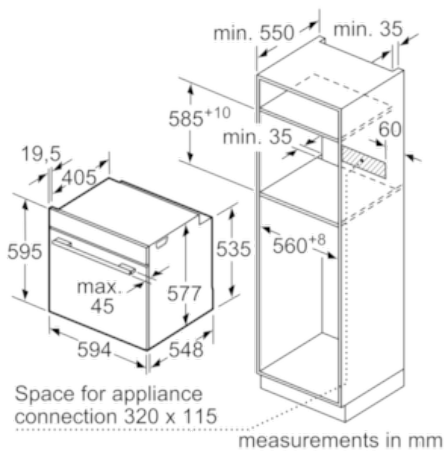
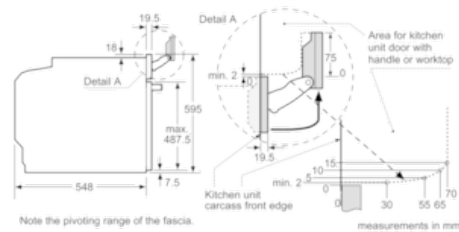
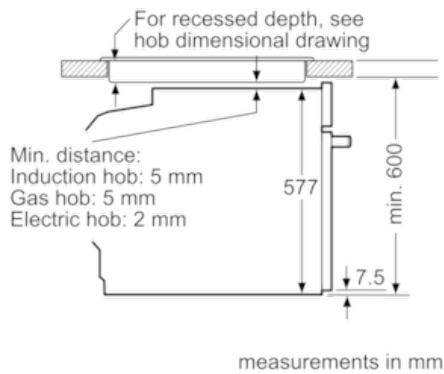
Technical Info:

- Length of mains cable: 120 cm
- Total connected load electric: 3.6 KW
- Appliance dimension (hxwx): 595 mm x 594 mm x 548 mm
- Niche dimension (hxwx): 585 mm - 595 mm x 560 mm - 568 mm x 550 mm
- "Please reference the built-in dimensions provided in the installation drawing"
- Energy efficiency rating (acc. EU Nr. 65/2014): A+ (at a range of energy efficiency classes from A+++ to D)
Energy consumption per cycle in conventional mode: 0.87 kwh
Energy consumption per cycle in fan-forced convection mode: 0.69 kwh
Number of cavities: 1 Heat source: electrical
Cavity volume: 71 l

Serie | 8 Steam-Oven

Combi-steam oven HSG636XS6, Stainless steel

Installation with a hob.



If the appliance will be installed underneath a hob, the following worktop thicknesses (including substructure if necessary) must be taken into account.

Hob type	min. worktop thickness	
	fitted	flush
Induction hob	37 mm	38 mm
Full surface Induction hob	47 mm	48 mm
Gas hob	30 mm	38 mm
Electric hob	27 mm	30 mm

