



---

**VL 414 712**  
stainless steel  
Air extraction / Air recirculation

---

**Installation accessories**

**AD 410 040**  
Flexible connecting piece

---

**AD 851 041**  
Connecting piece for extension with flat duct DN 150 for extra deep countertop

---

**VA 420 000**  
Connection strip for combination with other Vario appliances of the 400 series for flush mounting

---

**VA 420 010**  
Connection strip for combination with other Vario appliances of the 400 series for surface mounting

---

**Optional accessories**

**AA 414 010**  
Air deflector used with VL414 downdraft adjacent to VG415 or VG425 cooktops.

---

**Combinable with:**

Vario cooktops 400 series  
VI414  
VI422  
VG415  
VG425  
VP414  
VR414

---

---

**Vario downdraft ventilation 400 series**  
**VL 414**

---

- Can be combined perfectly flush with other Vario appliances of the 400 series
- Precision crafted 3 mm stainless steel
- Solid stainless steel control knob
- Highly efficient, low noise recirculation system with AR 410 710 blower
- Air extraction with AR 400 742, AR 403 722, or AR 401 742 blowers.
- Function for automatic, sensor-controlled power adjustment depending on the build-up of cooking vapors
- Minimal planning and easy installation

**Features**

Control knobs with illuminated ring included in delivery.  
3 electronically controlled power levels and 1 intensive mode.  
Automatic function with sensor-controlled run-on function.  
Large-scale metal grease filter with high grease absorption.  
Grease filter, dishwasher-safe.  
Grease filter and activated charcoal filter saturation indicator.  
Airflow-optimised interior for efficient air circulation.  
Interval ventilation, 6 min.  
Enameled ventilation grill, dishwasher-safe.  
Air exhaust bend included in delivery.  
Overflow 8 oz capacity.  
Cooktop-based ventilation control (with VI414 and VI422 cooktops).

Home network integration for digital services (Home Connect) either via cable connection LAN (recommended) or wireless via WiFi.  
The use of the Home Connect functionality depends on the Home Connect services, which are not available in every country. For further information please check: [home-connect.com](http://home-connect.com).

**Planning notes**

For each VL one blower is recommended.  
Maximum cooktop width between two VL: 24" (60 cm).  
Vario cooktops like Vario electric grill and Vario gas wok must be placed between 2 VL downdraft for optimal performance.  
In case of Vario electric grill, recirculation is not recommended.  
If operated next to gas appliances, the air deflector AA 414 010 is recommended to ensure maximum performance of the cooktop.

Appliance can be snapped into the countertop from above.  
Depending on the type of installation (surface-mounted or flush-mounted), the specific location of the cut-out and the knob positions may vary.  
If combining several Vario appliances of the 400 series, a connection strip VA 420 must be placed between the appliances. Depending on the type of

installation, the corresponding connection strip must be provided.  
The bearing capacity and stability, in the case of thin worktops in particular, must be supported using suitable substructures. Take into account the appliance weight and additional loads.

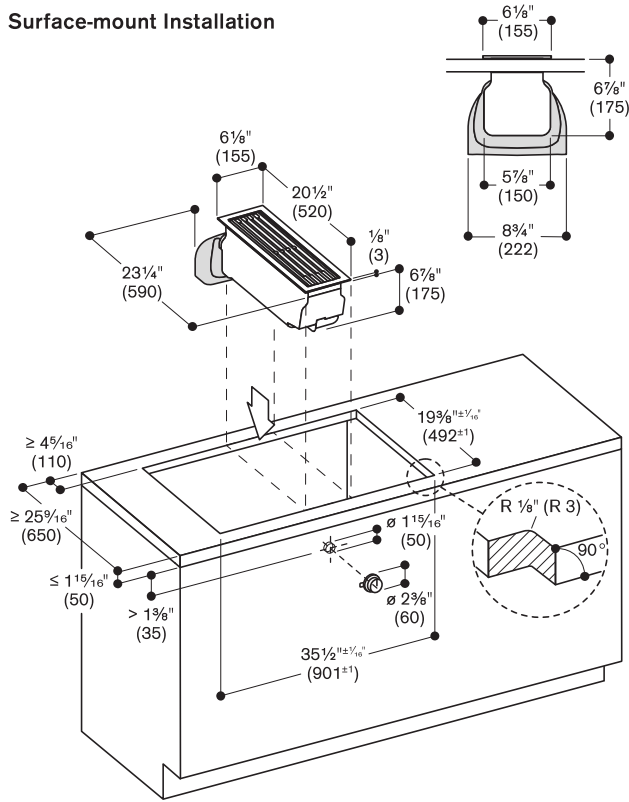
Additional instructions for flush mounting:  
Installation is possible in worktops made of stone, synthetics or solid wood. Heat resistance and watertight sealing of the cut edges must be observed. Concerning other materials please consult the countertop manufacturer.  
The groove must be continuous and even, so that uniform placing of the appliance on the gasket is ensured. Do not use discontinuous lining.

The joint width may vary due to size tolerances of the combinations and of the countertop cut-out.

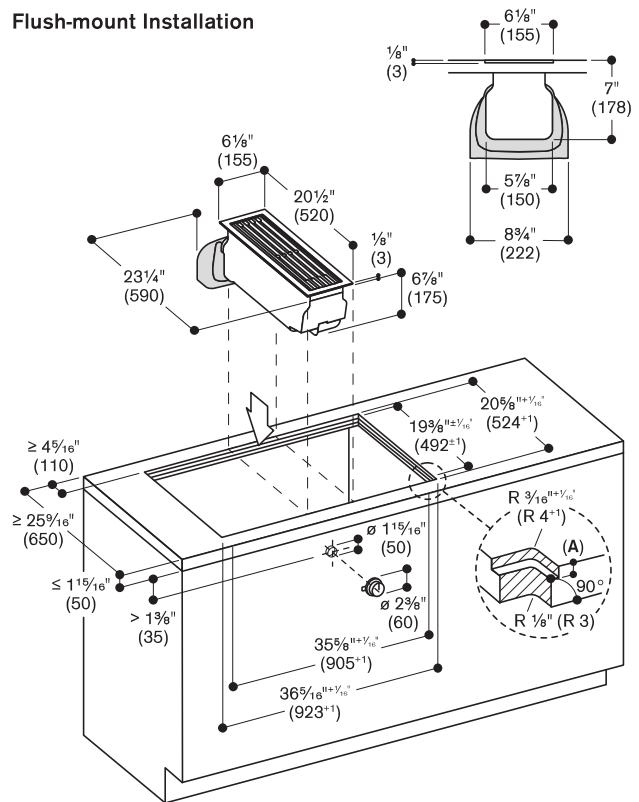
**Connection**

Connecting cable for blower is 68" (1.75 m).  
Plan a ethernet cable for distances where the blower is located over 68" (1.75 m)

### Surface-mount Installation

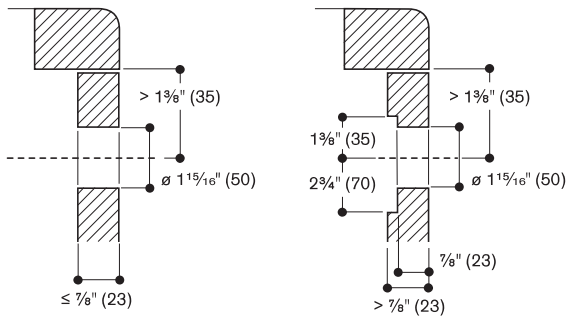


### Flush-mount Installation

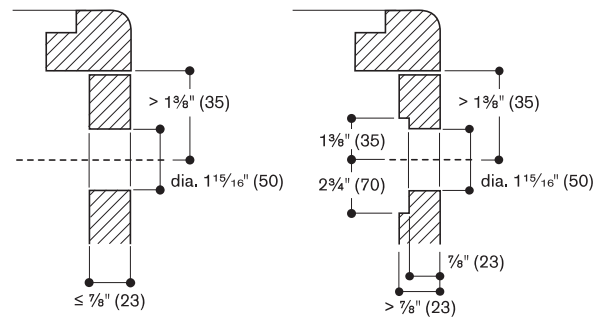


A: 1/8" (3.5-0.5)

### Installation of the control knob; surface mounting

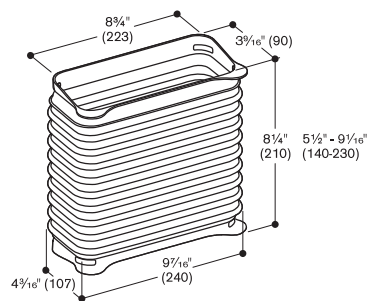


### Installation of the control knob; flush installation

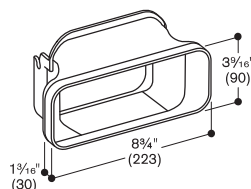


### Installation accessories

AD 410 040 : flexible connecting piece, DN 150 flat



AD 851 041: Connecting piece VL for extension with flat duct DN150 for extra deep countertop



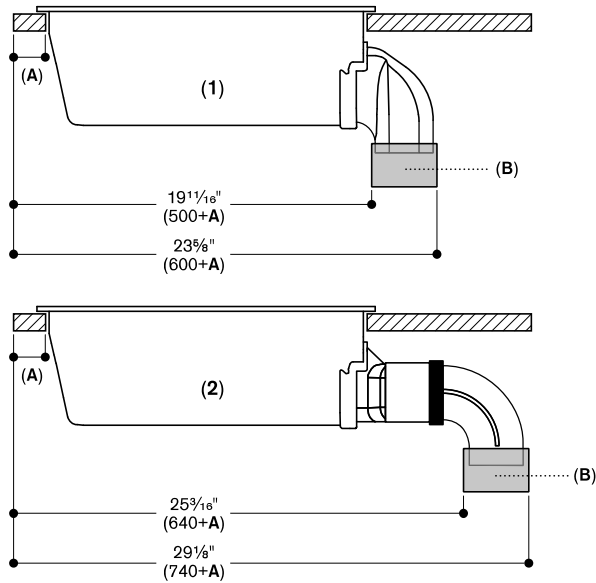
# Recommended configurations of the Vario downdraft ventilation 400 series and blowers

## Good to know – for correct planning and installation

- For depth measurements, take account of the depth of the furniture cavity and countertop overhangs of the kitchen furniture.
- It is also important that ducting is well sealed in order to prevent air leaks, e.g. by using the adequate adhesive tape or using the adequate connecting piece.
- Vario cooktops like Vario electric grill or Vario gas wok must be placed between 2 VL for optimal performance.
- In case of Vario electric grill air recirculation is not recommended.
- With the Vario downdraft ventilation, the ducting can be connected straight down (1) or to the rear using additional connecting pieces (2). These are available as special accessories, see below.

For the total overall dimensions in the furniture, please also take into account the individual dimensions and position of the ducts and the blower.

Please take into account the filter location when using a AR 410 710 blower to allow access for replacement.



- 1: Direct installation
- 2: Installation with extension for deep countertop and metal ducting:
  - AD 851 041 (connecting piece for extension)
  - AD 854 000 (flat duct connecting piece, metal)
  - AD 854 030 (flat duct bend, 90°, vertical, metal)

A:  $\geq 1\frac{5}{16}$ " (50)

B: Connecting piece

measurements in inches (mm)

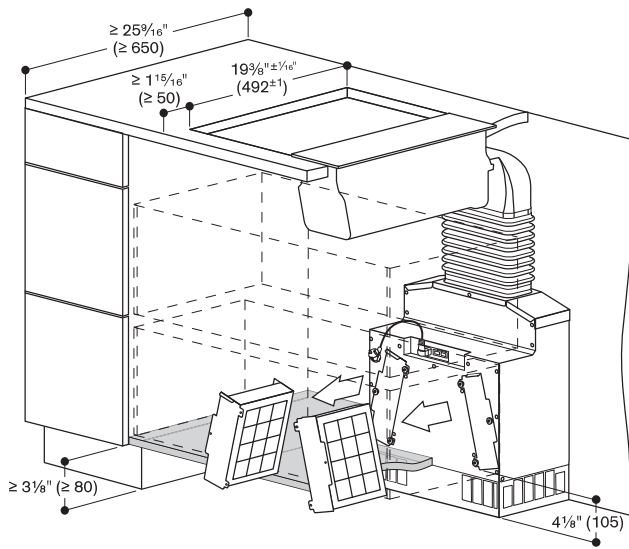
**Planning example (air recirculation) - Direct installation**  
**VL414 with AR 410 710 recirculation blower**

**Good to know**

- Wall installation, countertop depth 25 1/32" (65 cm)
- Allow accessibility to the filters in the lower cabinet for their replacement. Additionally, if the toe-kick is higher than 3 5/32" (80 mm), the recirculation blower unit has to be elevated to enable access to the filters. If the toe-kick is 3 5/32" (80 mm) high, the recirculation blower can be placed directly on the floor.
- For optimum performance, the recirculated air requires sufficient space to escape. Plan for a custom grill (or AA 010 410 stainless steel grill accessory) in the toe-kick for the air to exhaust properly.

**List of components**

- 1 x AR 410 710 (air recirculation)
- 1 x AD 410 040 (flexibel connecting piece for VL400, DN 150 flat)



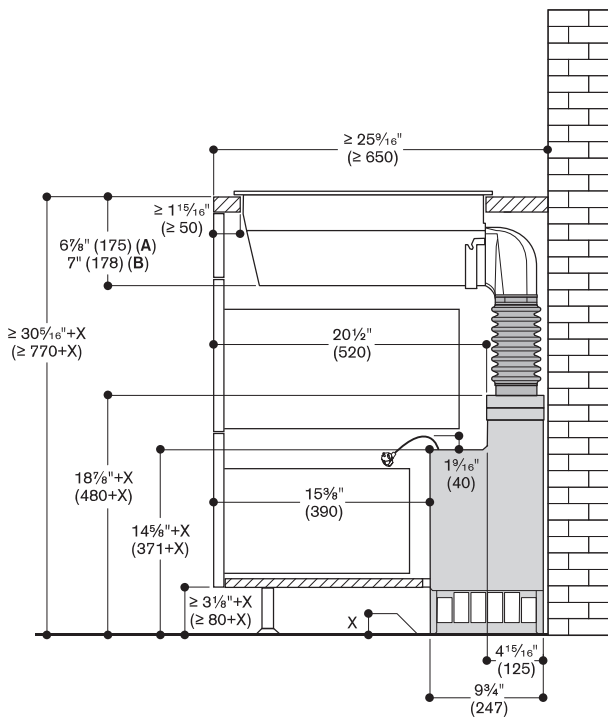
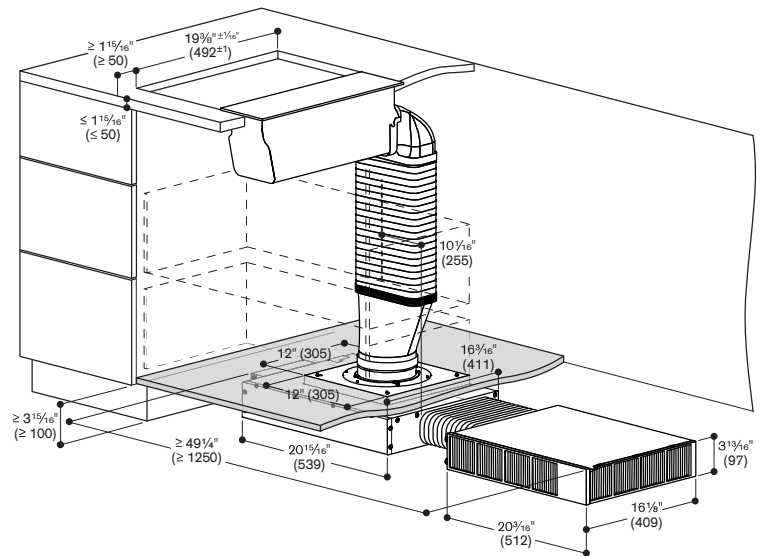
**Planning example (air recirculation) - Direct installation**  
**VL414 with AR 413 722 recirculation blower**

**Good to know**

- Wall or island installation.
- Allow accessibility to the charcoal filters in the lower cabinet for their replacement.
- The recommended minimum distance between filter openings and cabinet wall if there is no ventilation grill directly in front: 6" (15 cm).
- For optimum performance, the recirculated air requires sufficient space to escape. Plan for a custom grill (or AA 010 410 stainless steel grill accessory) in the toe-kick for the air to exhaust properly.

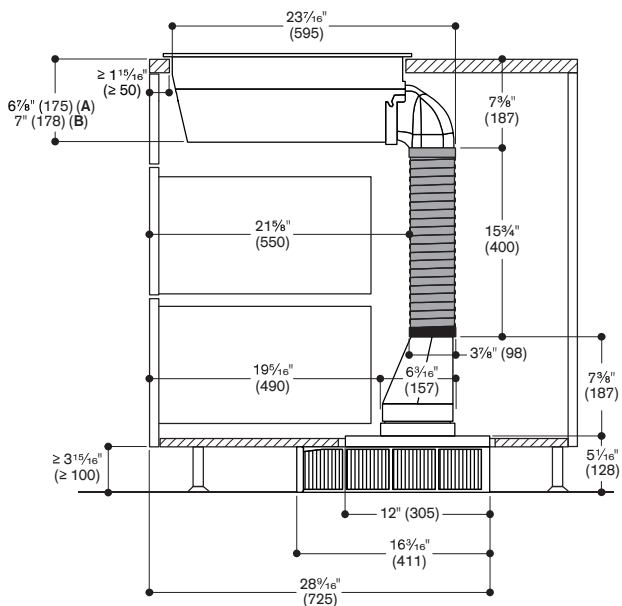
**List of components**

- 1x AR 413 722 (blower toe-kick)
- 1x AA 413 722 (recirculation kit)
- 1x AD 858 010 (flat duct flex pipe, metal, DN 150)
- 1x AD 854 041 (flat duct adapter round, metal, DN 150 flat/round)
- 1x AD 413 722 (Oval flex duct)
- 1x AA 010 410 air exhaust grill (or custom grill)
- 1x AD 990 091 (adhesive tape for sealing the ducts, aluminum)



A: Surface mounting  
 B: Flush mounting (only VL414)

measurements in inches (mm)



A: Surface mounting  
 B: Flush mounting (only VL414)

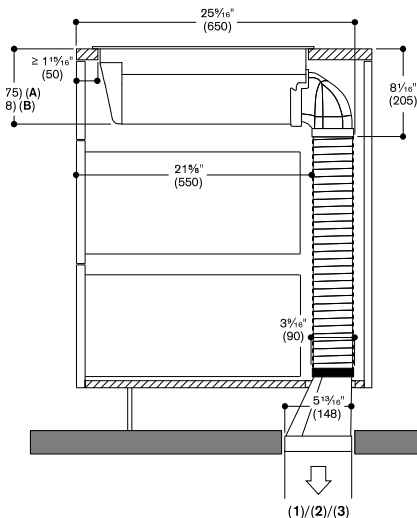
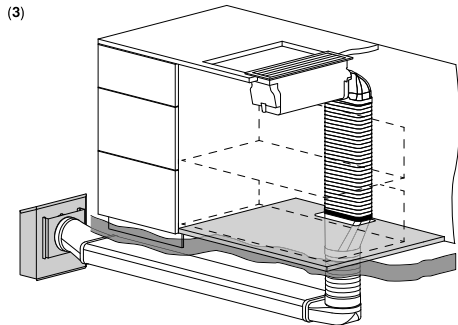
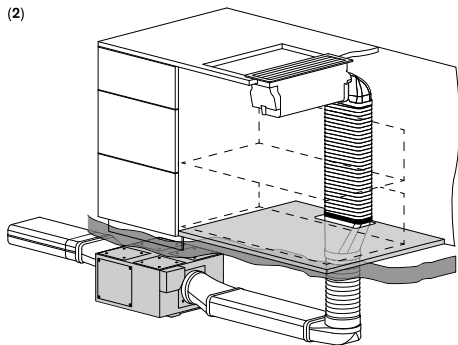
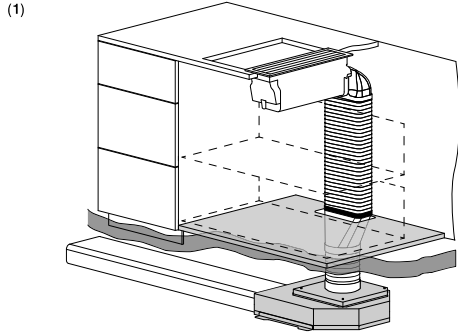
measurements in inches (mm)

Planning example (air extraction) - Direct installation  
 VL414 with extraction blower - Below floor installation

Combination with AR 403 722 / AR 400 742 / AR 401 742

List of components vary based upon blower selected

- 1 x AR 403 722 / AR 400 742 / AR 401 742 (extraction blower)
- 1 x AD 858 010 (Flat duct flex pipe)
- 1 x AD 854 041 (Flat duct adapter round) (2x required with AR 400 or AR 401 blower)
- 1 x AD 751 010 (Aluflex pipe)
- 1 x AD 854 032 (Flat duct adapter round 90) (Only required with AR 400 and AR 401 blowers)
- 1 x AD 854 010 (Flat Duct) (Only required with AR 400 and AR 401 blowers)
- 1 x AD 990 091 (Adhesive tape for duct components)



Extraction mode with remote blower  
 1: AR403  
 2: AR400  
 3: AR 401

A: Surface mounting  
 B: Flush mounting

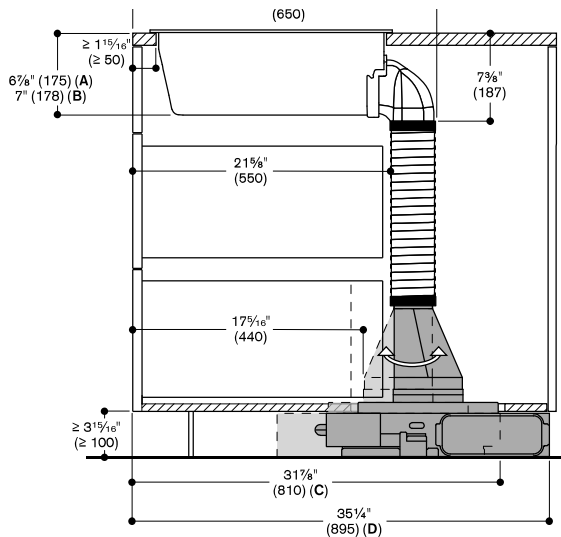
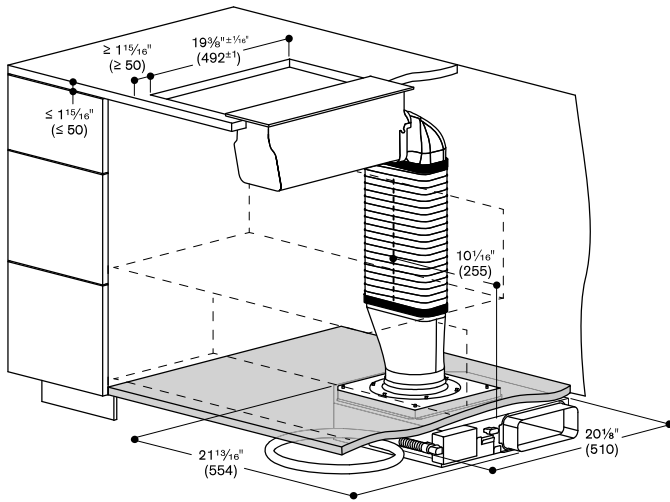
measurements in inches (mm)

**Planning example (air extraction) – Direct installation  
VL 414 with AR 403 722 extraction blower**

Island installation, connection to the right or the left side.

**List of components**

- 1 x AR 403 722 (toe-kick extraction blower)
- 1 x AD 858 010 (Flat duct flex pipe)
- 1 x AD 854 041 (Flat duct adapter round)
- 1 x AD 990 090 (adhesive tape)



- A: Surface mounting
- B: Flush mounting (only VL414)
- C: Exhaust to the left. Connecting piece flat/round towards the front
- D: Exhaust to the right. Connecting piece flat/round towards the back

measurements in inches (mm)

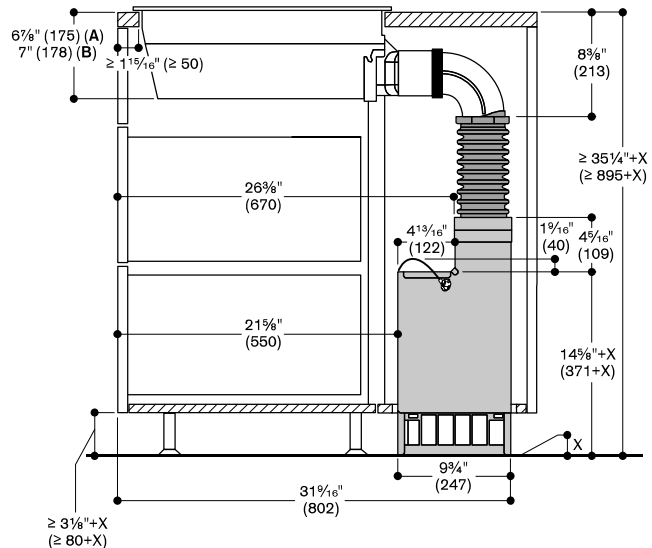
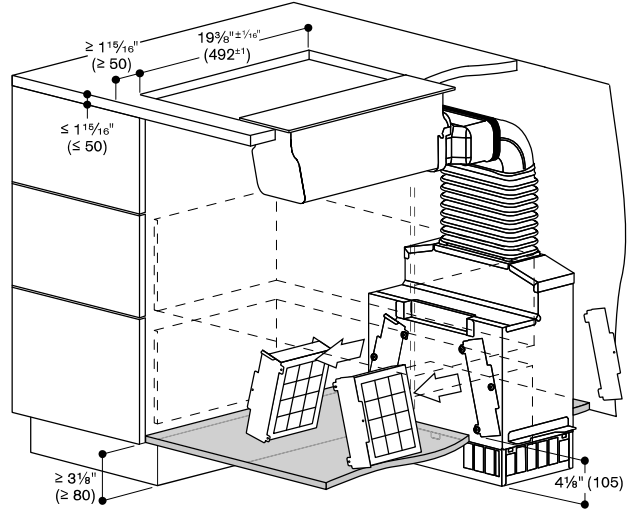
**Planning example (air recirculation) - with extension  
VL 414 with AR 410 710 recirculation blower**

**Good to know**

- Allow accessibility to the filters in the lower cabinet for their replacement. Additionally, if the toe-kick is higher than 3 5/32" (80 mm), the recirculation blower has to be elevated to enable access to the filters. If the toe-kick is 3 5/32" (80 mm) high, the recirculation blower can be placed directly on the floor.
- For optimum performance, the recirculated air requires sufficient space to escape. Plan for a custom grill (or AA 010 410 stainless steel grill accessory) in the toe-kick for the air to exhaust properly.

**List of components**

- 1x AR 410 710 (blower air recirculation)
- 1x AD 851 041 (connection piece for extension with flat duct for extra deep countertop)
- 1x AD 854 000 (flat duct bend connecting piece, metal, DN 150 flat)
- 1x AD 854 030 (flat duct bend 90° vertical, metal, DN 150 flat)
- 1x AD 410 040 (flexible connecting piece for VL 200, DN 150 flat)
- 1x AA 010 410 air exhaust grill (or custom grill)
- 1x AD 990 091 (adhesive tape for sealing the ducts, aluminum)



- A: Surface mounting
- B: Flush mounting (only VL414)

measurements in inches (mm)