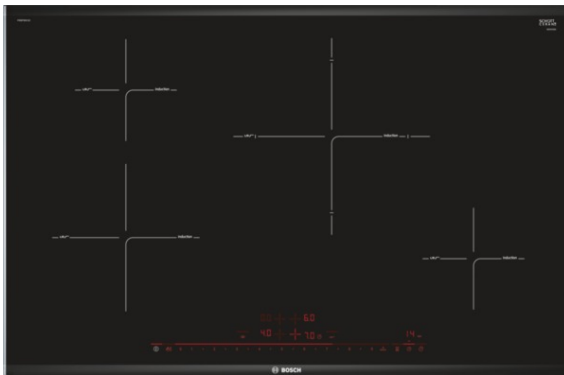


Serie | 8 Hobs

**PIE875DC1E brushed steel,
Comfort profile
80 cm, Ceramic hob**

A



The induction hob with PerfectFry: achieve perfect frying results thanks to automatic temperature control.

- **DirectSelect Premium:** Direct, simple selection of the desired cooking zone, power and additional functions.
- **PerfectFry:** For perfect browning of roasted foods thanks to sensor control with 5 power levels.
- **Two-ring cooking zone:** Cooking zone for large pots and pans.
- **ComfortProfil:** Elegant, appealing design with bevelled front and metal strips on the side.
- **Timer with switch-off function:** Turns off the assigned cooking zone after the set time.
- **Induction:** Fast, precise cooking, easy cleaning and low energy consumption.
- **PowerBoost:** Up to 50% more power for faster heating.

Technical Data

Product name/family :	Cooking zone ceramic
Construction type :	Built-in
Energy input :	Electric
Total number of positions that can be used at the same time :	4
Type of control setting devices :	Direct Select 2.0
Required niche size for installation (HxWxD) :	51 x 750-780 x 490-500
Width of the product (mm) :	816
Dimensions of the product (mm) :	51 x 816 x 527
Net weight (kg) :	15.0
Gross weight (kg) :	17.0
Residual heat indicator :	Separate
Location of control panel :	Hob front
Basic surface material :	Ceramic
Color of surface :	Black, Stainless steel
Color of frame :	Stainless steel
Approval certificates :	AENOR, CE
Length electrical supply cord (cm) :	110
Sealed Burners :	No
heating with booster :	All
Power of 1st heating element (kW) :	2.2
Power of 2nd heating element (kW) :	1.4
Power of 3rd heating element (kW) :	2.6
Power of 4th heating element (kW) :	1.4
Power of 1st heating element (kW in boost) :	3.7
Power of 2nd heating element (kW in boost) :	2.1
Power of 3rd heating element (kW in boost) :	3.7
Power of 4th heating element (kW in boost) :	2.1
Electrical connection rating (W) :	7400
Voltage (V) :	220-240
Frequency (Hz) :	60; 50
Main colour of product :	Black
Energy input :	Electric
Approval certificates :	AENOR, CE
Plug type :	no plug
Required cutout/niche size for installation (in) :	x x
Appliance Dimensions (h x w x d) (in) :	+ x x
Dimensions of the packed product (in) :	4.96 x 23.74 x 37.51
Net weight (lbs) :	34
Gross weight (lbs) :	37
Total number of positions that can be used at the same time :	4
Length electrical supply cord (cm) :	110
Required niche size for installation (HxWxD) :	51 x 750-780 x 490-500
Dimensions of the product (mm) :	51 x 816 x 527
Net weight (kg) :	15.0
Gross weight (kg) :	17.0

Included accessories

1 x adjustment strip 750 - 780 mm



Serie | 8 Hobs

PIE875DC1E brushed steel, Comfort profile 80 cm, Ceramic hob

The induction hob with PerfectFry: achieve perfect frying results thanks to automatic temperature control.

Design:

- Comfort profile
- Can be combined with all hobs in comfort design

Comfort:

- 4 induction cooking zones
- DirectSelect Premium touch control
- TopControl-Digital display
- Switch off timer for every cooking zone
 - Timer
 - Count-up timer
- 17 power levels
- HighSpeed ceramic glass
- Automatic pan recognition sensor
 - PowerManagement Function
 - Safety switch-off
 - Childproof lock
 - Wipe protection function
- QuickStart Function
- ReStart Function
- Energy consumption display
- Cable included
- Connection cable (1.1 M)
- Connected load: 7.4 kW

Power and size:

- Cooking zones: 1 x Ø 210 mm, 2.2 KW (max. Power levels 3.7 KW) Induction; 1 x Ø 145 mm, 1.4 KW (max. Power levels 2.1 KW) Induction; 1 x Ø 280 mm, 2.6 KW (max. Power levels 3.7 KW) Induction; 1 x Ø 145 mm, 1.4 KW (max. Power levels 2.1 KW) Induction
- Min. worktop thickness: 30 mm

Environment+safety:

- Digital 2 stage residual heat indicator
- Main switch

Professional equipment:

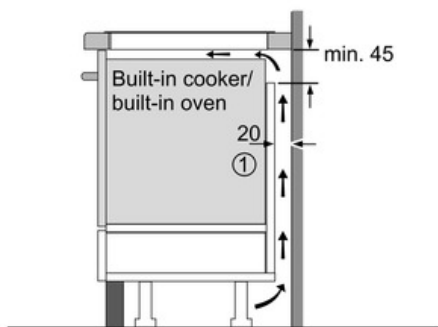
- PerfectFry sensor with 5 temperature settings

Quickness:

- Boost function for all zones
- PanBoost

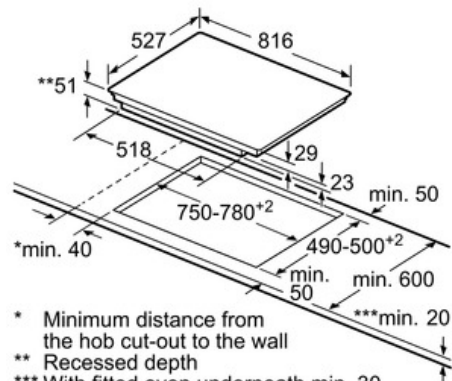
Serie | 8 Hobs

**PIE875DC1E brushed steel, Comfort profile
80 cm, Ceramic hob**



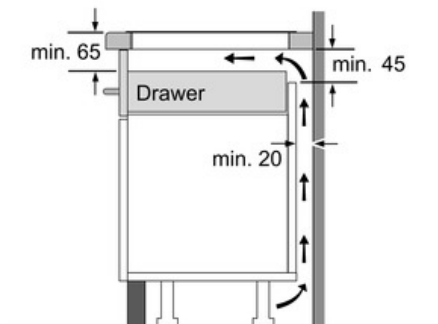
① Ventilation gap must be present

All measurements in mm

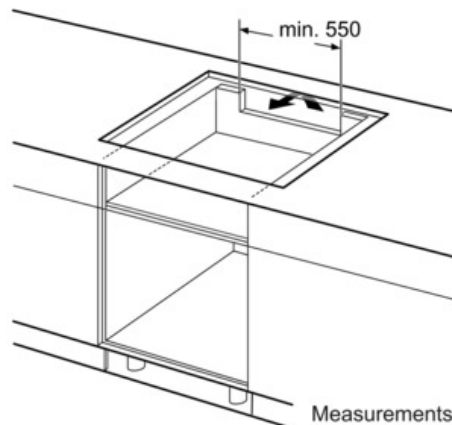


* Minimum distance from the hob cut-out to the wall
 ** Recessed depth
 *** With fitted oven underneath min. 30, possibly more; see space requirements for the oven

measurements in mm



Measurements in mm



Measurements in mm