



DF481700F
400 series dishwasher
Fully integrated
Height 34 1/8"
With flexible hinge for reduced toe-kick height



Optimal protection for sensitive glassware by low temperature drying with zeolite, optimized basket design and intelligent water softening
 8 programs with aqua sensor and 6 options, such as Power for cleaning and drying dishes in 57 minutes and Intensive for particularly thorough cleaning in the lower basket
 Flexible basket system with smooth running rails on all levels and cushioned closing of the upper and lower baskets
 Perfectly illuminated interior
 Push-to-open function for perfect integration into custom cabinet fronts
 Flexible hinge for reduced toe-kick height as of 1 15/16" (50 mm)
 Lateral Info-Light
 Very quiet: 42 dB

Operation

TFT display indicating remaining or end time, refill for salt and rinsing agent, inflow of water.
 Touch key operation.
 Flexible cycle time reduction, even during an active cycle.
 Personalization function for storing individual combinations of programs.
 Temporary noise reduction (only available with active Home Connect functionality).
 Information key with use indicators.
 Sanitized indicator in the control panel.
 Time delay up to 24 hours.
 Visual and acoustic end of program indicator.
 Lateral Info-Light.

Technical Features

Perfectly illuminated interior.
 Glass protection with zeolite.
 Aqua sensor.
 Load sensor.
 Automatic detergent function.
 Yes
 Flow-Through Water Heater™
 Triple filter system.
 Soft lock.
 Aqua stop.
 Home network integration for digital services (Home Connect) wireless via WiFi.
 The use of the Home Connect functionality depends on the Home Connect services, which are not available in every country. For further information please check: home-connect.com.

Programs

8 programs:
 Auto 150-160 °F.
 Auto 127-140 °F.
 Auto 113-122 °F.
 Eco 113-136 °F.
 Wash and Dry 122 °F.
 Quick Wash 113 °F (30 min).
 Glass Care 122 °F.
 Personalization function (default setting: Pre-rinse).
 6 options:
 Remote Start
 Intensive.
 Power.
 Sanitize.
 Extra Dry with zeolite.
 Machine Care.

Features

Product Features

Number of wash cycles
6

Number of options
8

Third Rack
3rd Rack 2.1

Tub material
Stainless steel

Concealed heating element
Yes

Leak protection system
24/7 Aqua Stop Plus

Five-level wash
No

Water softener
Yes

ChildLock
Yes

Total annual energy consumption (kWh)
269

Energy Efficiency Class
Tier 1

ENERGY STAR®
Yes

Total annual energy consumption (kWh)
505.3

Total annual water consumption (g)
505

Number of place settings
13

Consumption and connection features

2021-06-17
 Page 1

Flexible rack system with smooth running rails on all levels and soft-closing system of the upper and lower rack.
 3rd rack for cutlery.
 Upper basket:
 Over extension.
 Optional extra cleaning area by activating additional spray nozzles.
 Rackmatic with 3 levels, adjustable in height up to 2" (5 cm).
 6 folding spines.
 4 folding racks for optimal protection of glass.
 Lower basket:
 8 folding spines.
 2 folding racks for optimal protection of glass.
 Dividable glass support.
 Cutlery basket.
 Holder for long-stemmed glasses.
 13 place setting capacity.
 Maximum glass loading capacity 23 wine glasses.

Consumption data

Energy Star certified
 Total annual energy consumption 269 kWh.
 Noise level 42 dB (re 1 pW).

Planning notes

Height-adjustable feet.
 Appliance toe-kick recess 3 15/16" (see drawing).
 Rear feet adjustable at front.
 Door weight up to 22 lb.
 Door panel dimension dependent on toe-kick height of kitchen cabinetry.
 Installation and usage also with custom cabinet handle possible. The push-to-open function remains active.

Rating

Total rating: 1440 W.
 Connection to hot or cold water possible.
 Connecting cable 47 1/4" with three-prong plug (NEMA 5-15P).

Color Variants

DF481700F
Fully integrated
Height 34 1/8"

Included accessories

1 x baking tray spray head.
 1 x glass holder rack.
 1 x GN container insert.

Optional accessories

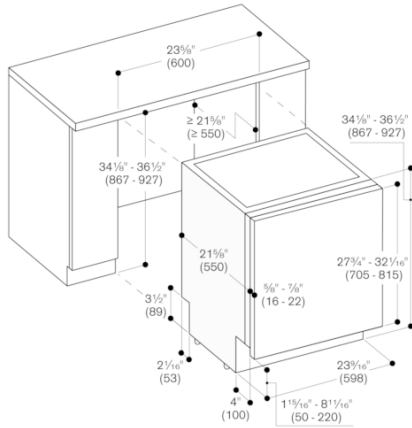
DA042030
Sterling silver cutlery cassette
DA043000
Holder for long-stemmed glasses

Installation Accessories

DA020110
Stainless steel trim kit for tall tub dishwashers
GZ010011
Extension for inlet and outlet (78" long)

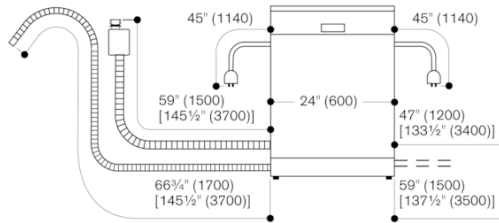
DF481700F
 400 series dishwasher
 Fully integrated
 Height 34 1/8"
 With flexible hinge for reduced toe-kick height
 2021-06-17
 Page 2

Dishwasher (34 1/8" (867)) with flexible hinge



Measurements in inches (mm)

Connection dimensions for a 24" (600 mm) wide dishwasher



[] values with extension kit

Measurements in inches (mm)