

36" Counter-Depth 3-Door Refrigerator

500 Series – Stainless Steel B36CD50SNS



BOSCH
Invented for life



B36CD50SNS
Stainless Steel

Also available in:

Black Stainless Steel
B36CD50SNB

Introducing the QuickIcePro System™, industry's fastest refrigerator ice maker.¹ Enjoy freshly filtered ice that's replenished fast.

Features & Benefits

The Bosch QuickIcePro System offers rapid ice replenishment, producing up to 12 lbs of ice per day,² ensuring ample ice availability

UltraClarityPro™ water filter reduces >99.9% of sediment that may be found in your water and ice, including harsh elements like chlorine and chloramine.

With Home Connect™, remotely control and monitor your appliance to efficiently manage your day.

| General Properties | |
|--|---|
| Full 69" height and true counter depth for built-in appearance | Yes |
| Easy Clean Stainless Steel | Yes |
| Lighting | Recessed LED light bars |
| Number of evaporators | 2 |
| Defrost process refrigerator section | Frost-free |
| Number of shelves – refrigerator | 5 |
| Adjustable shelves – refrigerator | 4 half-width |
| Shelf material – refrigerator | Tempered glass |
| Type of shelves – refrigerator | Frameless split shelves with metal trim |
| Ice maker | Yes |
| Water filter | UltraClarityPro™ |
| External water and ice dispenser | Yes |
| Gallon depth storage bins | 4 |
| Humidity control compartments | 2 |
| Full width drawer | 1 |
| Touch control panel | Yes |
| AirFresh® filter | Yes |
| MultiAirFlow™ | Yes |
| Stainless steel back wall | Yes |
| Defrost process freezer section | Automatic |
| Number of drawers – freezer | 2 |
| Wi-Fi enabled | Yes, Home Connect™ app |

| Capacity | |
|---------------------------------|------|
| Total capacity (cu. ft.) | 20.8 |
| Refrigerator capacity (cu. ft.) | 14.8 |
| Freezer capacity (cu. ft.) | 6 |

| Technical Details | |
|-------------------------|--------------|
| Current (A) | 15 A |
| Volts (V) | 115 V |
| Frequency (Hz) | 60 Hz |
| Power cord length (in.) | 91 |
| Plug type | 120V-3 prong |

| Dimensions & Weight | |
|---|----------------------------|
| Appliance dimensions with hinges, handles and doors (HxWxD) (in.) | 70"* x 35 5/8" x 31 1/8" |
| Appliance dimensions without hinges and doors (HxWxD) (in.) | 69 1/2" x 35 5/8" x 24"*** |
| Appliance dimensions with hinges and doors, no handles (HxWxD)(in.) | 70"* x 35 5/8" x 28 3/4" |
| Required cutout size (HxWxD) (in.) | 70" x 36" x 25" |
| Net weight (lbs) | 350 lbs |

| Efficiency | |
|-----------------------------|--------------|
| Energy consumption (kWh/yr) | 656 |
| ENERGY STAR® qualified | Yes – Tier 1 |



Home Connect

¹Based on single ice maker production rates during a 24-hour period, measured per IEC standard and manufacturer user's manuals, for brands identified in US and Canada TraQline as freestanding French door bottom mount refrigerators. Results may vary depending on operating conditions.

²Based on filling 8 oz glasses.

*When leveling legs are fully extended, add 5/8" to overall height, total 70 5/8".

**The cutout depth of 25" includes the required 1" airflow. The electrical covers on the back of unit do not require additional depth.

Accessories: To purchase Bosch accessories, cleaners & parts please visit www.bosch-home.com/us/store or call 1-800-944-2904 (Mon to Fri 5 am to 6 pm PST, Sat 6 am to 3 pm PST).

Notes: All height, width and depth dimensions are shown in inches. BSH reserves the absolute and unrestricted right to change product materials and specifications, at any time, without notice. Consult the product's installation instructions for final dimensional data and other details prior to making cutout.

Warranties: Please see Use & Care manual or Bosch website for statement of limited warranty.

For more information on our entire line of products, go to www.bosch-home.com/us or call 1-800-944-2904

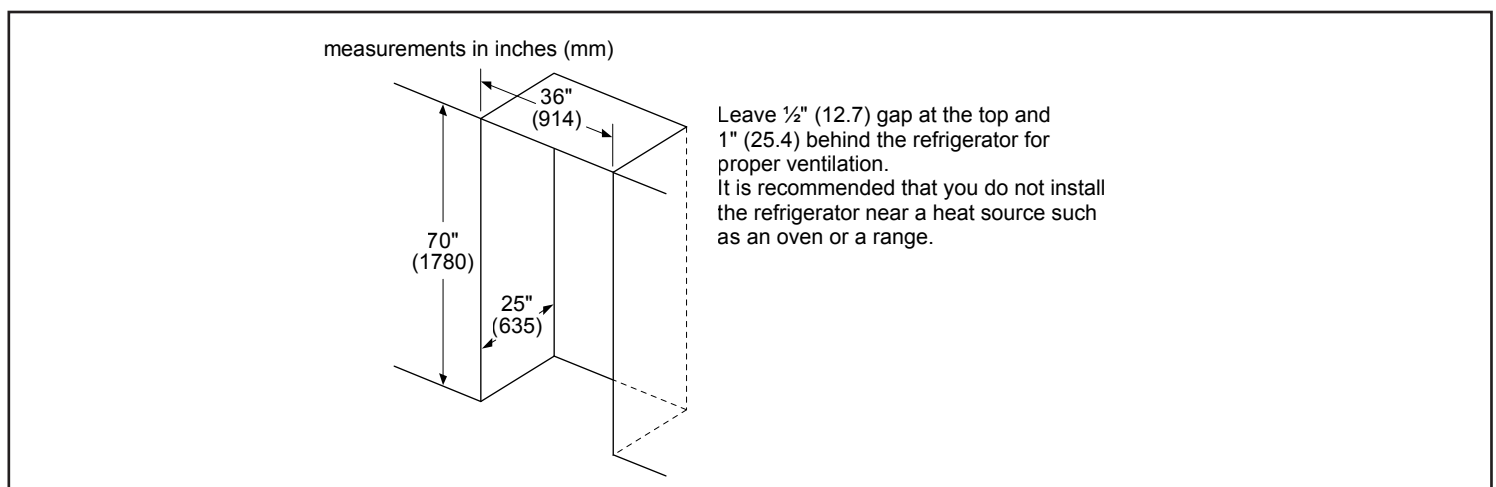
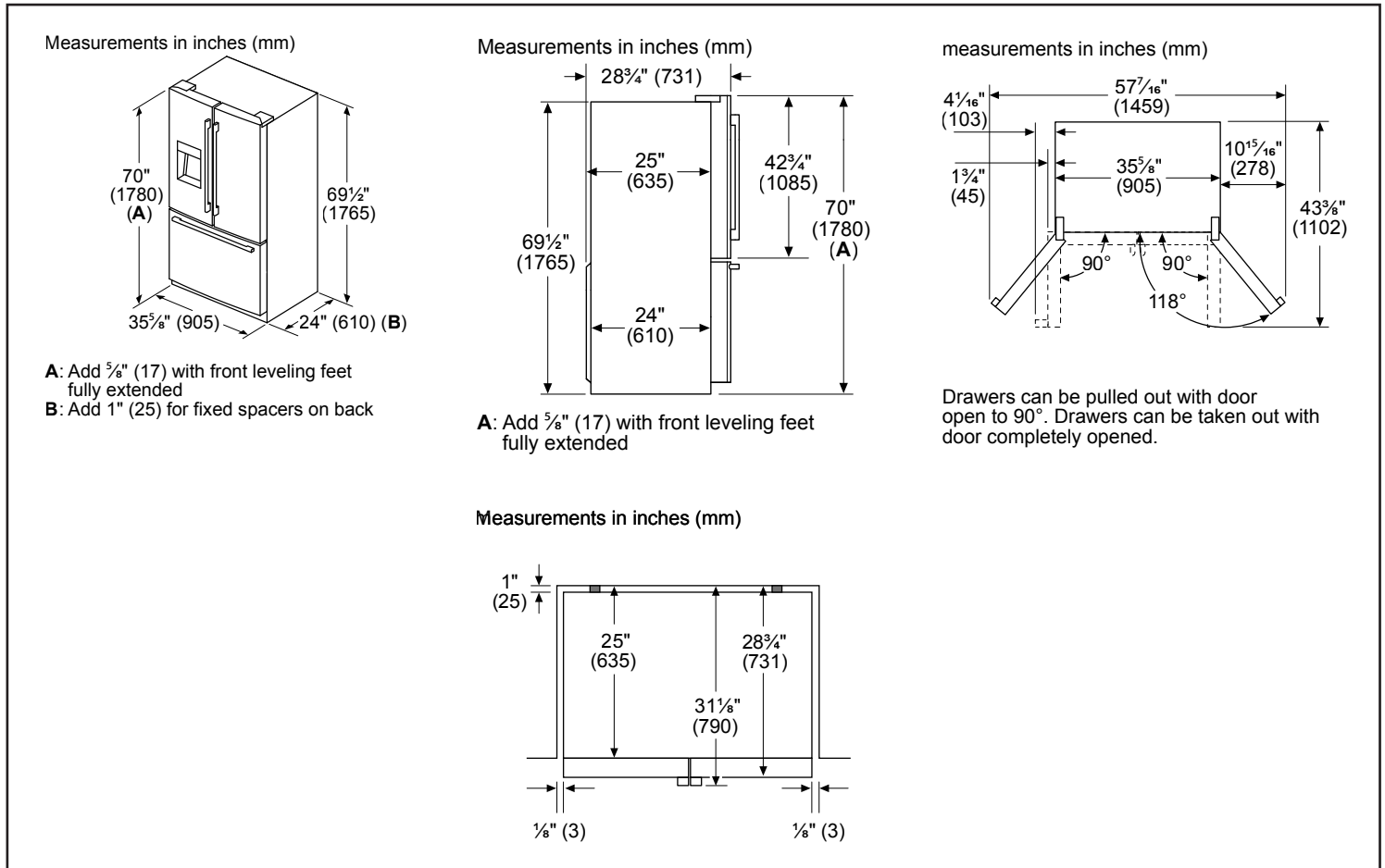
© BSH Home Appliances Corporation. All rights reserved. Bosch is a registered trademark of Robert Bosch GmbH.

36" Counter-Depth 3-Door Refrigerator

500 Series – Stainless Steel B36CD50SNS



Installation Details



Accessories: To purchase Bosch accessories, cleaners & parts please visit www.bosch-home.com/us/store or call 1-800-944-2904 (Mon to Fri 5 am to 6 pm PST, Sat 6 am to 3 pm PST).

Notes: All height, width and depth dimensions are shown in inches. BSH reserves the absolute and unrestricted right to change product materials and specifications, at any time, without notice. Consult the product's installation instructions for final dimensional data and other details prior to making cutout.

Warranties: Please see Use & Care manual or Bosch website for statement of limited warranty.

For more information on our entire line of products, go to www.bosch-home.com/us or call 1-800-944-2904

© BSH Home Appliances Corporation. All rights reserved. Bosch is a registered trademark of Robert Bosch GmbH.