

PS906-4



Product Family	Hob
Built-in	Ultra-low profile
Dimensions	90 cm
Power supply	Gas
Type	Gas
EAN code	8017709153649



Aesthetics



Colour	Stainless steel
Finishing	Brushed
Aesthetics	Classic
Material	Stainless Steel
Type of steel	Brushed
Pan stands	Cast iron
Burners	Standard
Burners Material	Alluminium
Type of control setting	Control knobs
Control knobs position	Front
No. of controls	6
Controls colour	Steel effect
Serigraphy colour	Black

Programme / Functions

Total no. of cook zones	5
No. of gas cook zones	5

Technical Features



Left - Gas - 2UR (dual) - 4.50 kW
Rear centre - Gas - Rapid - 2.50 kW
Front centre - Gas - AUX - 1.05 kW

Rear right - Gas - Rapid - 2.50 kW

Front right - Gas - AUX - 1.05 kW

Gas safety valves	Yes	Automatic Ignition	Yes
--------------------------	-----	---------------------------	-----

Accessories Included

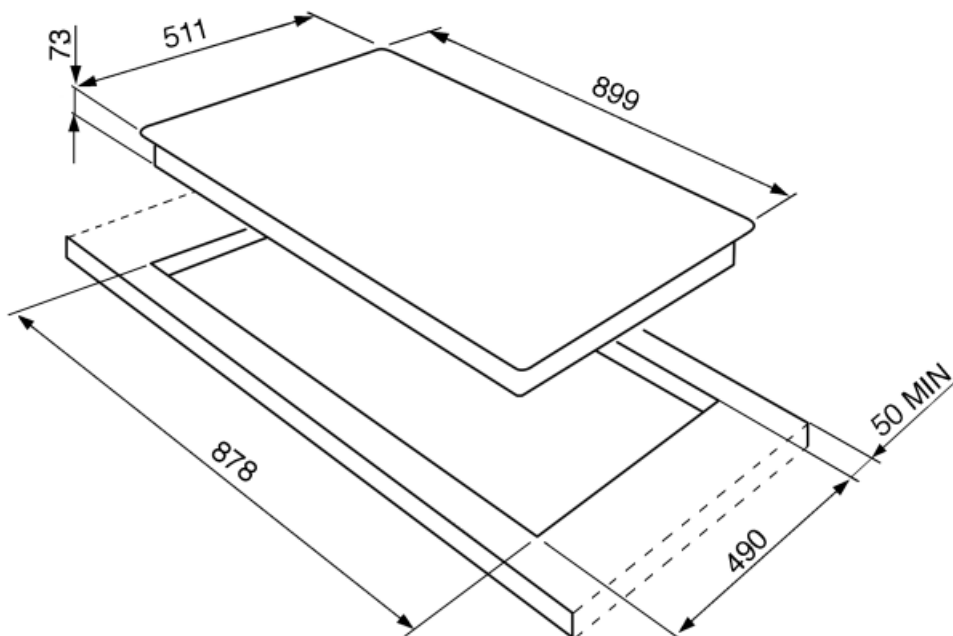
Cast iron wok support	2	Other accessories	Linea control knobs kit
------------------------------	---	--------------------------	-------------------------

Electrical Connection




Nominal power (W)	1 W	Frequency (Hz)	50/60 Hz
Voltage (V)	220-240 V	Power supply cable length	120 cm

Gas Connection

Gas Type	G20 Natural gas	Other gas connections provided	Conical
Gas connection	Cilindrical	Gas connection rating (W)	11600 W
Other gas nozzles included	G30 GPL Liquid gas		



Symbols glossary

- | | | | |
|--|---|---|--|
|  | Ultra-low profile: Installation of product with flat edge - height of 1 mm. |  | Heavy duty cast iron pan stands: for maximum stability and strength. |
|  | Ultra rapid burners: Powerful ultra rapid burners offer up to 5kw of power. | | |